



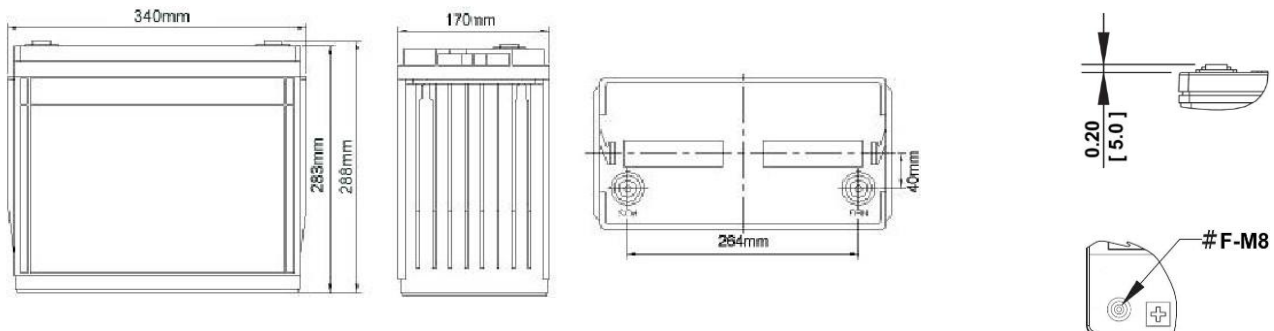
SPECIFICATIONS

Nominal Voltage		12V
Rated Capacity (25 °C)	20 Hour Rate (6.27A to 10.5V)	140Ah
	10 Hour Rate (11.1A to 10.5V)	118Ah
	5 Hour Rate (20.0A to 10.5V)	105AH
Reserve Capacity	@30.7A	180Minutes
	@74.4A	60Minutes
Dimensions	Length	340mm(13.4inches)
	Width	170mm(6.69inches)
	Height	288mm(11.3inches)
Weight		37.5kg (82.5lbs)

CHARACTERISTICS

Capacity Affected by Temperature (20 HR)			Self Discharge 25°C (77°F)	Max.Discharge Current @5 seconds @25°C (77°F)	Charging Voltage @25°C (77°F)		Container Material
0°C(32°F)	25°C (77°F)	40°C (104°F)			Cycle	Float	
85%	100%	102%	<2%/month	1125A	14.4-14.7V	13.6-13.8V	ABS

BATTERY STRUCTURE

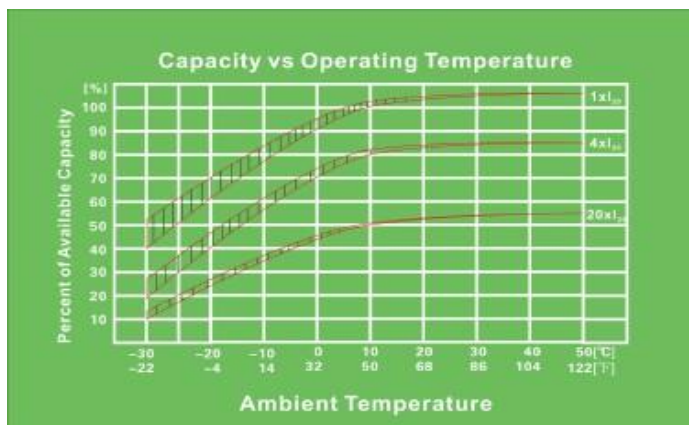
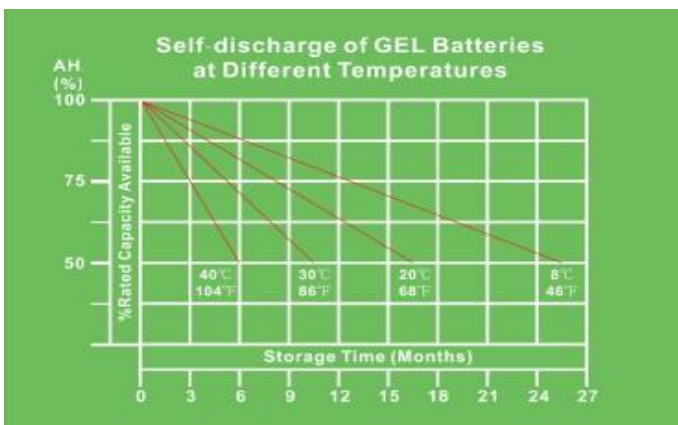
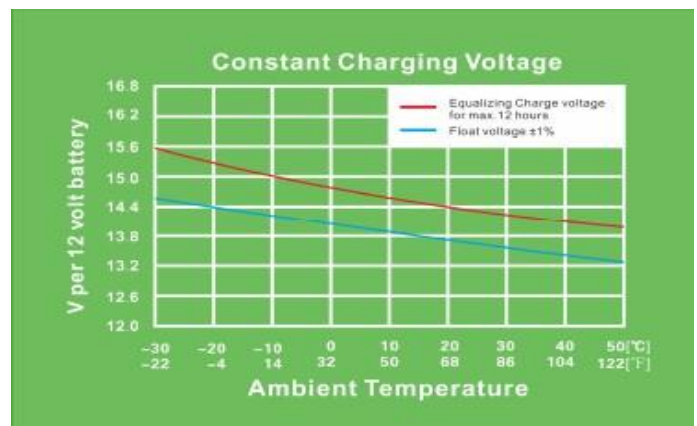
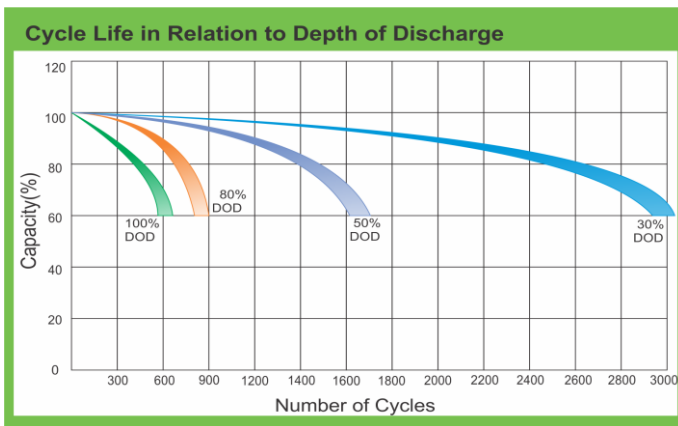


(Note) All above information shall be changed without prior notice, IBS ITALIA reserves the right to explain and update the latest information.

KEY FEATURES & BENEFIT

- **Critical pressure control valve** maintains critical internal pressure while safely expelling excess gas generated during overcharging, for longer battery life. 100% tested for highest performance.
- **Exclusive inter cell gasket** prevents inter cell voltage leaks for much lower self-discharge and longer battery life.
- **Gelled electrolyte** is completely leak-proof and spill-proof for easy installation. It eliminates ultra-deep discharges and acid stratification damage.
- **Phosphoric acid in gel** prevents plate shedding and provides two to three times longer battery life.
- **Forged terminal posts and bushings** are completely solid with no porosity, for longer battery life, maximum performance, no leakage of pressure or corrosive gas, and no damage to sensitive electronic equipment.
- **Brushed plate lugs** provide heavier, low-resistance straps with outstanding lug-to-strap knit and eliminate dropped and loose plates that reduce performance and shorten battery life.
- **Heavy-duty plates with high-density deep-cycle oxide** provide quick recharge-ability and superior deep-cycle and float performance in the most demanding applications.
- **Tank formed plates** offer optimal computerized formation, additional quality control and improved voltage matching.
- **Deep-cycle grid construction** direct current to the terminals for maximum power and performance.
- **High Tin grid alloy** reduces gassing and retards corrosion for maintenance-free performance and longer battery life. Ideal for installation near sensitive electronic equipment.
- **Reinforcing fiberglass mat** prevents mossing or short circuits around the edges of the plates for longer battery life.
- **Premium separators** reduce gassing and improve gel filling and electron flow, providing more power- per-pound.

PERFORMANCE CHARACTERISTICS



(Note) All above information shall be changed without prior notice, IBS ITALIA reserves the right to explain and update the latest information.